

CONTENTS

Modular Transilluminating Bases

TLB Series Features

Transilluminating Base Features 1

Modular Transilluminating Bases

TLB1000 Sturdy Stereo Stand 2-3

TLB3000 150 Watt Fiber Optic Transilluminating Base 4-5

TLB4000 20 Watt Transilluminating Base 6-7

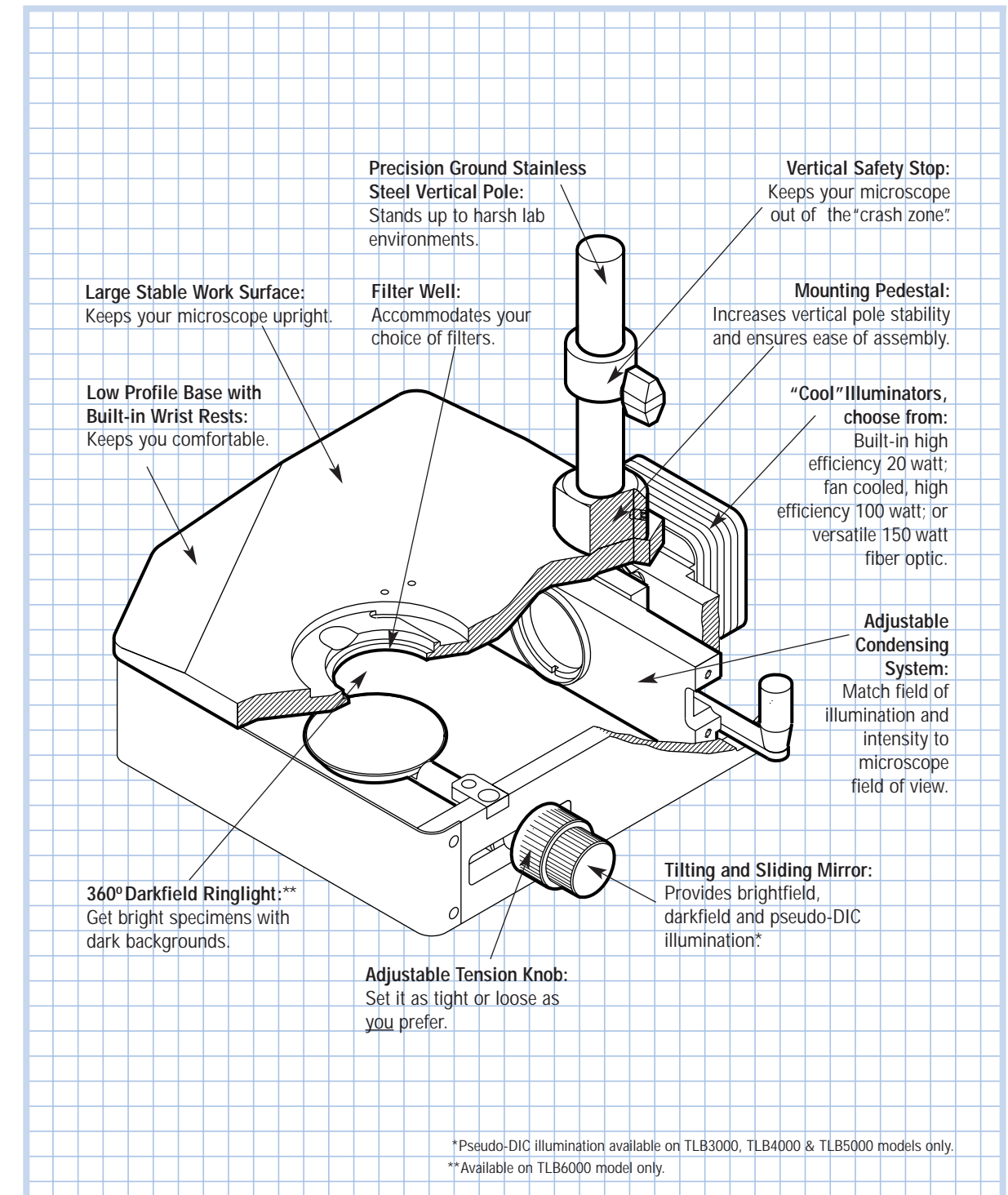
TLB5000 100 Watt Transilluminating Base 8-9

TLB6000 150 Watt Fiber Optic Brightfield/Darkfield Transilluminating Base 10-11

TLB Series System Layout

Modular Design Diagram 12-13

TLB SERIES FEATURES



*Pseudo-DIC illumination available on TLB3000, TLB4000 & TLB5000 models only.

**Available on TLB6000 model only.

TLB1000 SERIES

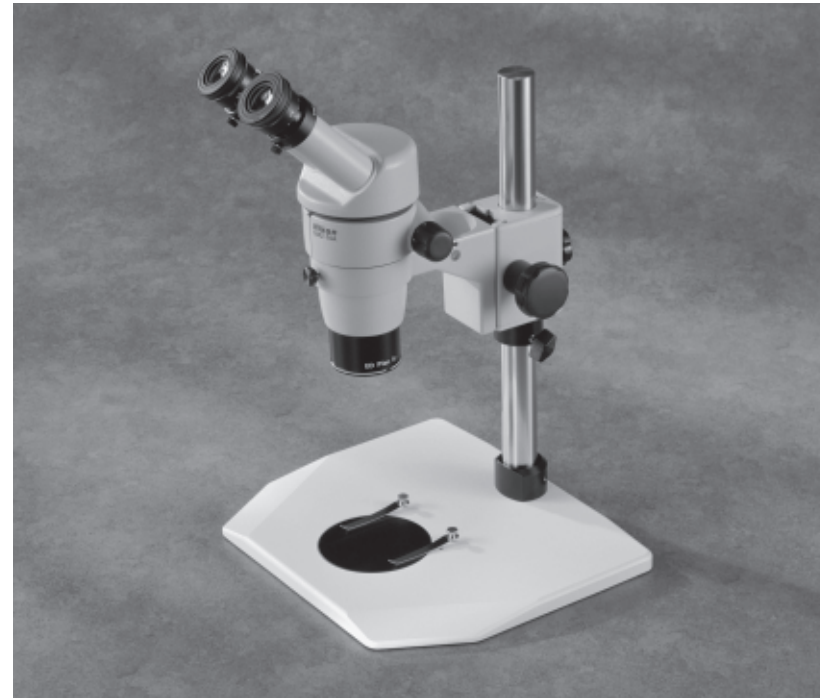
Sturdy Stereo Stand

Features of the TLB1000

- Large, stable work surface
- Low profile with built-in wrist rests
- Ideal stand for large stereomicroscopes with camera systems

TLB1000 Stereo Stand

This stand is a more stable version of the standard stand that is offered with most stereomicroscopes. When a camera system is added to most stereomicroscopes, the combination becomes top heavy. Starting with the TLB1000 lessens the fear that an accidental bump could knock over the camera-microscope combination. Beyond this benefit, the TLB1000 has the ability to grow with you as your illumination needs change. By adding feature modules the TLB1000 can be transformed into TLB3000, TLB4000, TLB5000 or TLB6000 stands.



TLB1000 Sturdy Stereo Stand

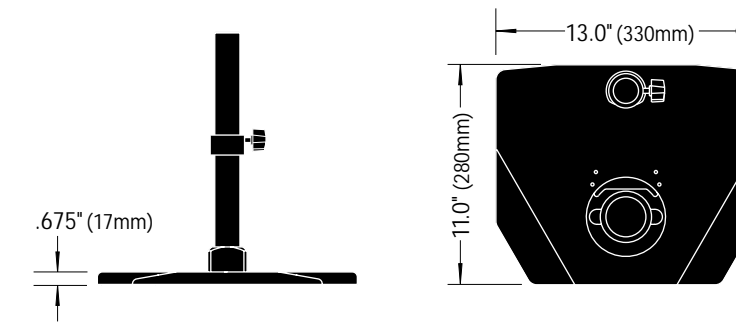


Black-White Contrast Plate and Stage Clips



Stable Base for Your Systems

AUTHORISED DISTRIBUTOR - CANIMPEX Enterprises Ltd.
 Tel/Fax [902] 457-0975 - www.canimpex.ns.ca - admin@canimpex.ns.ca



TLB1000 Sturdy Stereo Stand

Standard Equipment	Weight Specifications
1 Base	Base weight: 13.75 lbs. (6.25 kg)
1 Vertical mounting pole	Shipping weight: 16 lbs. (7.3 kg)
1 Vertical stop	
1 Black & white contrast stage plate	
2 Stage clips	
Available Options	
TLBAK13 Upgrade to TLB3000 kit	TLB2212TP 22" w x 12" d oversize top plate
TLBAK14 Upgrade to TLB4000 kit	TLB96TP Top plate option for microplate support
TLBAK15 Upgrade to TLB5000 kit	GN-TLB-F Gooseneck mount for Fostec fiber optic
TLBAK16 Upgrade to TLB6000 kit	GN-TLB-V Gooseneck mount for Volpi fiber optic
Custom length vertical mounting poles available	NPA Adapter for Nikon stage plates
	PBD Polarizer for TLB filter well
	NVOF1 Adapter for Fostec fiber lens

Ordering TLB1000 Series Systems	Part Number
Leica	
Leica MZ, MS, GSZ series, accepts 445 615 or 445 616 columns (column NOT included)	TLB1026
Leica S6D (column NOT included)	TLB1026
Meji	
Meji EMZ-1 (20mm Ø x 406mm mounting column)	TLB1016
Nikon	
Nikon C-PS focus mount (adapter plate provided, focus mount supplied by dealer)	TLB1030
Nikon SMZ-1, 1B, 2B, 2T, SM-5, SMZ645, SMZ660 (24.5mm Ø x 406mm mounting column)	TLB1002
Nikon SMZ-U, SMZ-10A, SMZ645, SMZ660, SMZ800 (32mm Ø x 406mm mounting column)	TLB1019
Nikon SMZ1500, SMZ1000, SMZ-10	TLB1019
Olympus	
Olympus SZX, SZH, SZ, SD/SF with SZ-ST5 focus mount (32mm Ø x 254mm mounting column)	TLB1018
Unitron (special order, non-returnable/non-cancelable)	
Unitron (24.5mm Ø x 406mm mounting column)	TLB1003
Wild (special order, non-returnable/non-cancelable, specify 90mm or 110mm c-c)	
Wild (20mm Ø x 406mm mounting column) (specify 90mm or 110mm c-c)	TLB1024
Wild (25mm Ø x 406mm mounting column)	TLB1007
Wild triangular side face column (column NOT included)	TLB1017
Zeiss	
Zeiss Stemi series, SV6, SV8, SV11, SR, DR, DRC (32mm Ø x 406mm mounting column)	TLB1006
Zeiss IV-B (20mm Ø x 406mm mounting column) (special order, non-returnable/non-cancelable)	TLB1008



TLB3000 SERIES

Fiber Optic Transilluminating Base

Features of the TLB3000

- 150 watt cool fiber optic provides epi-illumination or transillumination
- Large, stable work surface
- Low profile with built-in wrist rests for added comfort
- Large range of mirror adjustment

TLB3000 Transilluminating Base

The TLB3000's large work area and sliding, tiltable mirror make it an economical and versatile choice for general brightfield use, as well as many darkfield applications.

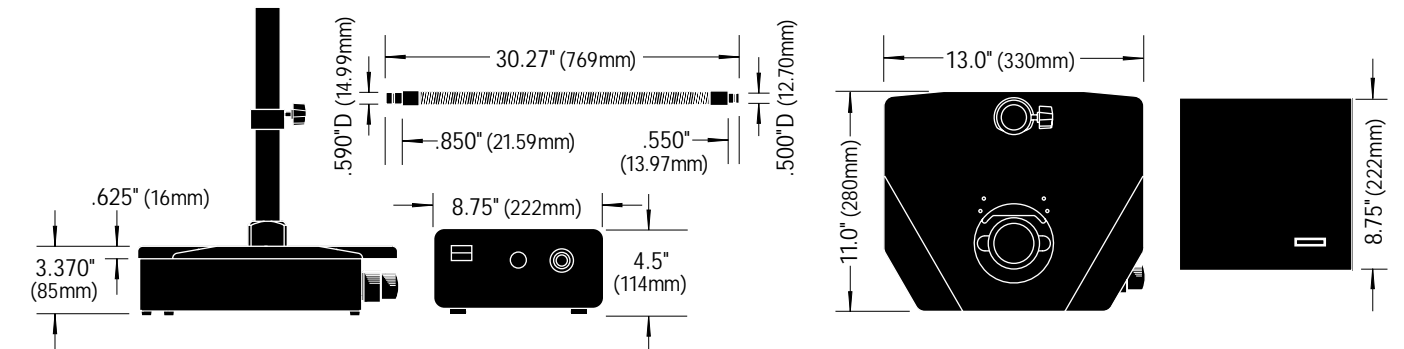
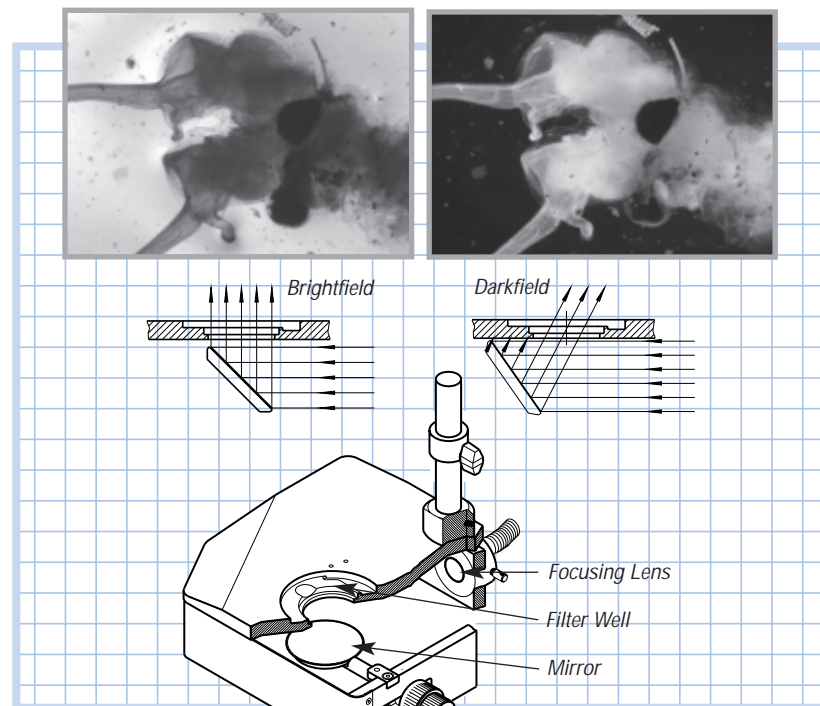
Illumination for the TLB3000 is provided by a 150 watt halogen illuminator and fiber optic bundle. At the end of the bundle there is a condensing lens for adjusting the intensity and field of illumination. The gooseneck support holds the fiber bundle for the epi-illumination applications.

One of the outstanding qualities of the TLB series is the range of motion allowed by the mirror. The mirror is mounted in a mechanism that provides tilt, as well as front to back movement. This technique allows the microscopist to vary the illumination from brightfield to darkfield. For high magnification work the drop-in ground glass increases the NA of the system. For low magnification work the drop-in opal glass filter ensures an even field of illumination.

In addition to these capabilities, the TLB3000 can be upgraded as your illumination needs change. By adding feature modules, the TLB3000 can be transformed into a TLB4000, TLB5000 or TLB6000 stand.



TLB3000 Fiber Optic Transilluminating Base with 150 Watt Illuminator



TLB3000 Fiber Optic Transilluminating Base			
Standard Equipment		Weight Specifications	
1	Mirrored base	1	Ground glass drop-in filter
1	Vertical mounting pole	1	Opal glass drop-in filter
1	Vertical stop	2	Stage clips
1	Black & white contrast stage plate	1	150 watt fiber optic halogen illuminator
1	Clear glass stage plate	1	Fiber optic bundle
		1	GN-TLB-V Gooseneck mount for Volpi fiber optic
Available Options			
	TLBAK34 Upgrade to TLB4000 kit		TLB2212TP 22"w x 12"d oversize top plate
	TLBAK35 Upgrade to TLB5000 kit		TLB96TP Top plate option for microplate support
	TLBAK36 Upgrade to TLB6000 kit		GN-TLB-F Gooseneck mount for Fostec fiber optic
	TLBCM Curved mirror kit		NPA Adapter for Nikon stage plates
	Custom length vertical mounting poles available		PBD Polarizer for TLB filter well
			NVOF1 Adapter for Fostec fiber lens

Ordering TLB3000 Series Systems		Part Number
Leica		
	Leica MZ, MS, GSZ series, accepts 445 615 or 445 616 columns (column NOT included)	TLB3026
	Leica S6D (column NOT included)	TLB3026
Meji		
	Meji EMZ-1 (20mm Ø x 406mm mounting column)	TLB3016
Nikon		
	Nikon C-PS focus mount (adapter plate provided, focus mount supplied by dealer)	TLB3030
	Nikon SMZ-1, 1B, 2B, 2T, SM-5, SMZ645, SMZ660 (24.5mm Ø x 406mm mounting column)	TLB3002
	Nikon SMZ-U, SMZ-10A, SMZ645, SMZ660, SMZ800 (32mm Ø x 406mm mounting column)	TLB3019
	Nikon SMZ1500, SMZ1000, SMZ-10	TLB1019
Olympus		
	Olympus SZX, SZH, SZ, SD/SF with SZ-ST5 focus mount (32mm Ø x 254mm mounting column)	TLB1018
Unitron (special order, non-returnable/non-cancelable)		
	Unitron (24.5mm Ø x 406mm mounting column)	TLB3003
Wild (special order, non-returnable/non-cancelable, specify 90mm or 110mm c-c)		
	Wild (20mm Ø x 406mm mounting column) (specify 90mm or 110mm c-c)	TLB3024
	Wild (25mm Ø x 406mm mounting column)	TLB3007
	Wild triangular side face column (column NOT included)	TLB3017
Zeiss		
	Zeiss Stemi series, SV6, SV8, SV11, SR, DR, DRC (32mm Ø x 406mm mounting column)	TLB3006
	Zeiss IV-B (20mm Ø x 406mm mounting column) (special order, non-returnable/non-cancelable)	TLB3008



TLB4000 SERIES

20 Watt Transilluminating Base

Features of the TLB4000

- Large, stable work surface
- Large range of mirror adjustment
- Built-in 20 watt halogen illuminator and power supply saves space
- New condensing system with reflector increases brightness by 400%
- Built-in heat filter provides cool light

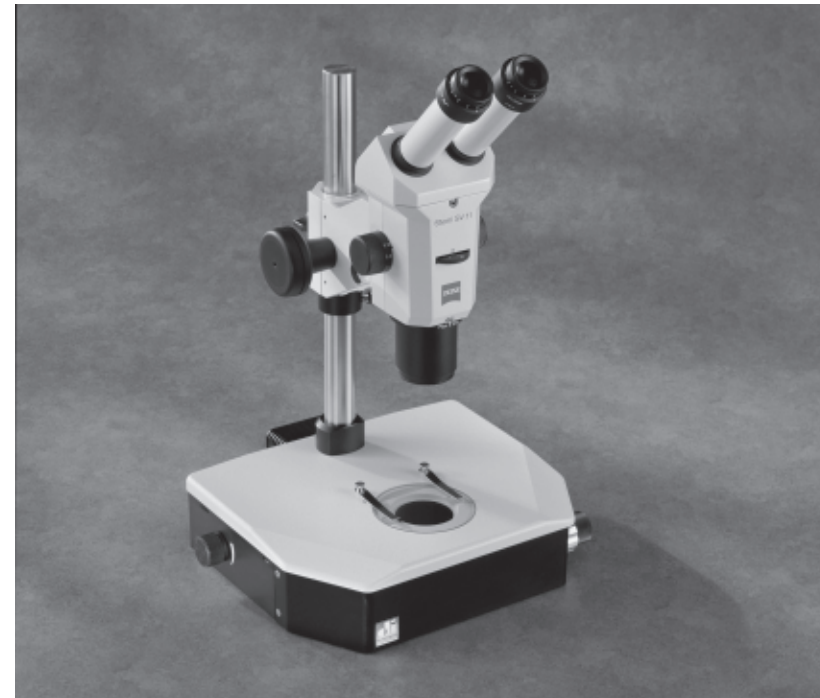
TLB4000 Transilluminating Base

The TLB4000's large work area combined with its built-in 20 watt illuminator make it an economical and versatile choice for the crowded lab environment.

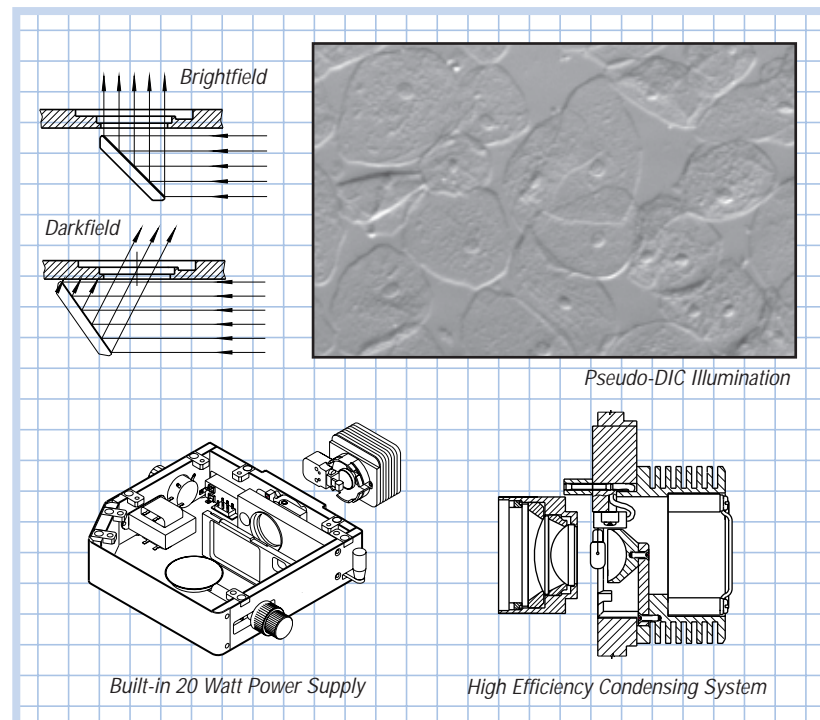
The 6 volt, 20 watt power supply is continuously variable from 3 to 6 volts. It powers a high efficiency Osram Xenophot halogen lamp with a light output of 480 lumens (39 candle power). This lamp is easily accessible in its removable lamp housing. The new high efficiency optical design with reflector has increased light intensities nearly 400%. These condensing lenses can be quickly adjusted with the control lever to match the field of view and intensity to the magnification.

The mirror is mounted in a mechanism that provides tilt, as well as front to back movement. This feature allows the user to vary the illumination from brightfield to darkfield making this base ideal for nematode research. For high magnification work, the drop-in ground glass increases the NA of the system. For low magnification work, the drop-in opal glass filter ensures an even field of illumination.

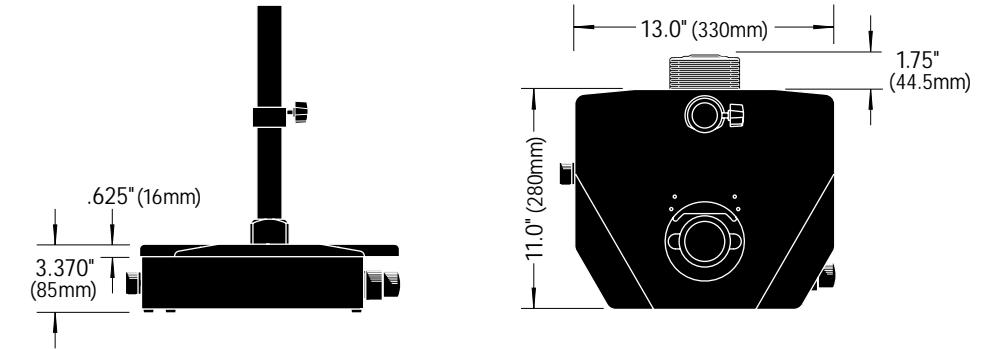
In addition to these capabilities, the TLB4000 can be upgraded as your illumination needs change. By adding feature modules, the TLB4000 can be transformed into a TLB5000 or TLB6000 stand.



TLB4000 Base with Built-in 20 Watt Halogen Illuminator



AUTHORISED DISTRIBUTOR - CANIMPEX Enterprises Ltd.
Tel/Fax [902] 457-0975 - www.canimpex.ns.ca - admin@canimpex.ns.ca



TLB4000 Transilluminating Base

Standard Equipment		Weight Specifications	
1 Mirrored base with built-in 20 watt power supply	1 Ground glass drop-in filter	Base weight: 24 lbs. (10.9 kg)	
1 Vertical mounting pole	1 Opal glass drop-in filter	Shipping weight: 26 lbs. (11.8 kg)	
1 Vertical stop	2 Stage clips		
1 Black & white contrast stage plate	1 20 watt halogen illuminator housing		
1 Clear glass stage plate	1 Adjustable condensing lens system		
	2 6 volt 20 watt replacement lamps		
Available Options			
TLBAK45 Upgrade to TLB5000 kit	TLB2212TP 22"w x 12"d oversize top plate		
TLBAK46 Upgrade to TLB6000 kit	TLB96TP Top plate option for microplate support		
TLBCM Curved mirror kit	GN-TLB-F Gooseneck mount for Fostec fiber optic		
Custom length vertical mounting poles available	GN-TLB-V Gooseneck mount for Volpi fiber optic		
	NPA Adapter for Nikon stage plates		
	PBD Polarizer for TLB filter well		
	NVOF1 Adapter for Fostec fiber lens		

Ordering TLB4000 Series Systems

	Part Number
Leica	
Leica MZ, MS, GSZ series, accepts 445 615 or 445 616 columns (column NOT included)	TLB4026
Leica S6D (column NOT included)	TLB4026
Meji	
Meji EMZ-1 (20mm Ø x 406mm mounting column)	TLB4016
Nikon	
Nikon C-PS focus mount (adapter plate provided, focus mount supplied by dealer)	TLB4030
Nikon SMZ-1, 1B, 2B, 2T, SM-5, SMZ645, SMZ660 (24.5mm Ø x 406mm mounting column)	TLB4002
Nikon SMZ-U, SMZ-10A, SMZ645, SMZ660, SMZ800 (32mm Ø x 406mm mounting column)	TLB4019
Nikon SMZ1500, SMZ1000, SMZ-10	TLB1019
Olympus	
Olympus SZX, SZH, SZ, SD/SF with SZ-STS focus mount (32mm Ø x 254mm mounting column)	TLB1018
Unitron (special order, non-returnable/non-cancelable)	
Unitron (24.5mm Ø x 406mm mounting column)	TLB4003
Wild (special order, non-returnable/non-cancelable, specify 90mm or 110mm c-c)	
Wild (20mm Ø x 406mm mounting column) (specify 90mm or 110mm c-c)	TLB4024
Wild (25mm Ø x 406mm mounting column)	TLB4007
Wild triangular side face column (column NOT included)	TLB4017
Zeiss	
Zeiss Stemi series, SV6, SV8, SV11, SR, DR, DRC (32mm Ø x 406mm mounting column)	TLB4006
Zeiss IV-B (20mm Ø x 406mm mounting column) (special order, non-returnable/non-cancelable)	TLB4008



TLB5000 SERIES

100 Watt Transilluminating Base

Features of the TLB5000

- Large, stable work surface
- New condensing system with reflector increases brightness by 200%
- 100 watt halogen illumination for photography and polarized light
- Low vibration fan cooling
- Heat filter provides cool light

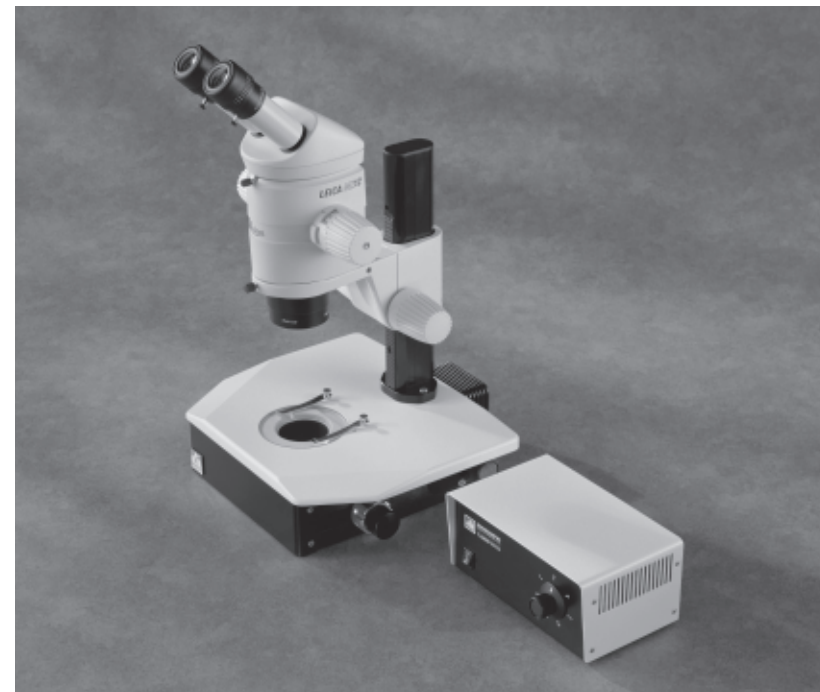
TLB5000 Transilluminating Base

The TLB5000's 100 watt illumination makes it a perfect base for photographic or polarized light application. The 12 volt, 100 watt power supply is a stable auto-transformer design, that supplies continuously variable voltage between 0 and 12 volts. It powers a high efficiency Osram Xenophot halogen lamp with a light output of 3600 lumens (288 candle power).

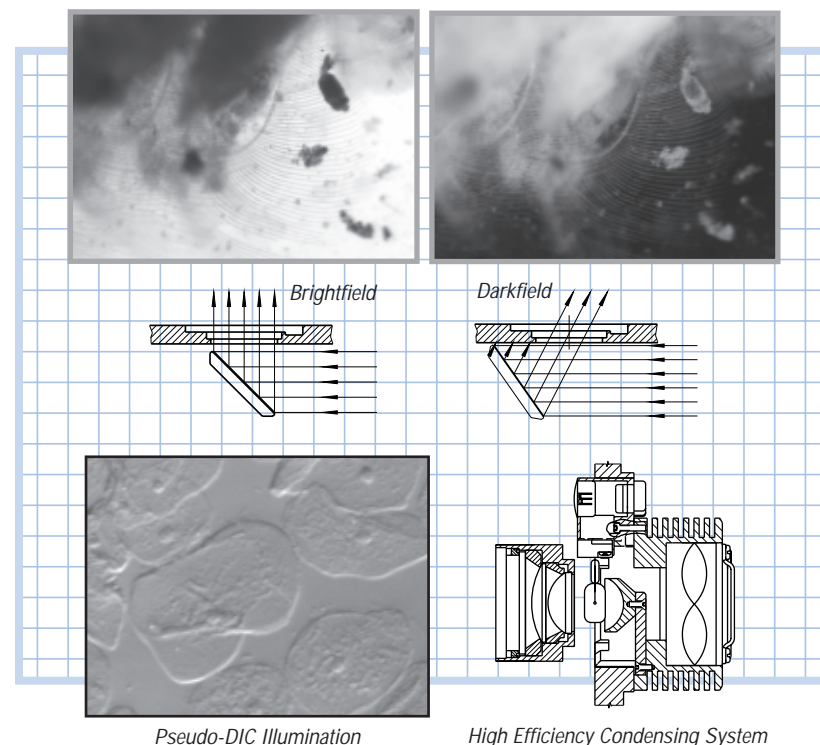
The new high efficiency optical design increases light intensities nearly 200%, while the heat filter provides cool, bright light with an ideal color temperature for photomicrography. Further, the condensing lenses can be quickly adjusted to match the field of view and intensity to the magnification being used. Fan cooling and easy lamp access round out the features that make the TLB5000 a joy to use.

The mirror is mounted in a mechanism that provides tilt, as well as front to back movement. This feature allows the user to vary the illumination from brightfield to darkfield. For high magnification work, the drop-in ground glass increases the NA of the system. For low magnification work, the drop-in opal glass filter ensures an even field of illumination.

In addition to these capabilities, the TLB5000 can be upgraded as your illumination needs change. By adding feature modules, the TLB5000 can be transformed into a TLB6000 stand.



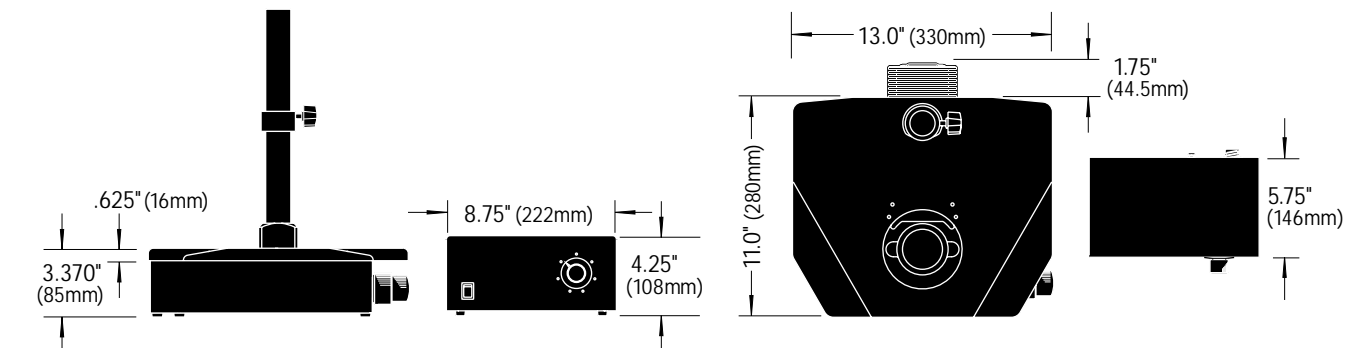
TLB5000 Base with Fan Cooled 100 Watt Halogen Illuminator



Pseudo-DIC Illumination

High Efficiency Condensing System

AUTHORISED DISTRIBUTOR - CANIMPEX Enterprises Ltd.
Tel/Fax [902] 457-0975 - www.canimpex.ns.ca - admin@canimpex.ns.ca



TLB5000 100 Watt Transilluminating Base

Standard Equipment		Weight Specifications	
1	Mirrored base	1	Ground glass drop-in filter
1	Vertical mounting pole	1	Opal glass drop-in filter
1	Vertical stop	2	Stage clips
1	Black & white contrast stage plate	1	Fan cooled 100 watt halogen illuminator housing
1	Clear glass stage plate	1	100 watt power supply
		1	Adjustable condensing lens system

Available Options	
TLBAK56 Upgrade to TLB6000 kit	TLB2212TP 22" w x 12" d oversize top plate
TLBCM Curved mirror kit	TLB96TP Top plate option for microplate support
Custom length vertical mounting poles available	GN-TLB-F Gooseneck mount for Fostec fiber optic
	GN-TLB-V Gooseneck mount for Volpi fiber optic
	NPA Adapter for Nikon stage plates
	PBD Polarizer for TLB filter well
	NVOF1 Adapter for Fostec fiber lens

Ordering TLB5000 Series Systems		Part Number
Leica		
Leica MZ, MS, GSZ series, accepts 445 615 or 445 616 columns (column NOT included)		TLB5026
Leica S6D (column NOT included)		TLB5026
Meji		
Meji EMZ-1 (20mm Ø x 406mm mounting column)		TLB5016
Nikon		
Nikon C-PS focus mount (adapter plate provided, focus mount supplied by dealer)		TLB5030
Nikon SMZ-1, 1B, 2B, 2T, SM-5, SMZ645, SMZ660 (24.5mm Ø x 406mm mounting column)		TLB5002
Nikon SMZ-U, SMZ-10A, SMZ645, SMZ660, SMZ800 (32mm Ø x 406mm mounting column)		TLB5019
Nikon SMZ1500, SMZ1000, SMZ-10		TLB1019
Olympus		
Olympus SZX, SZH, SZ, SD/SF with SZ-STS focus mount (32mm Ø x 254mm mounting column)		TLB1018
Unitron (special order, non-returnable/non-cancelable)		
Unitron (24.5mm Ø x 406mm mounting column)		TLB5003
Wild (special order, non-returnable/non-cancelable, specify 90mm or 110mm c-c)		
Wild (20mm Ø x 406mm mounting column) (specify 90mm or 110mm c-c)		TLB5024
Wild (25mm Ø x 406mm mounting column)		TLB5007
Wild triangular side face column (column NOT included)		TLB5017
Zeiss		
Zeiss Stemi series, SV6, SV8, SV11, SR, DR, DRC (32mm Ø x 406mm mounting column)		TLB5006
Zeiss IV-B (20mm Ø x 406mm mounting column) (special order, non-returnable/non-cancelable)		TLB5008



TLB6000 SERIES

Fiber Optic Brightfield/Darkfield Transilluminating Base

Features of the TLB6000

- Large, stable work surface
- Low profile with built-in wrist rests
- Large range of mirror adjustment
- 150 watt fiber optic halogen illumination
- 360° darkfield ringlight illumination
- Adjustable condensing lens optimizes illumination for high or low magnification work
- Fiber optic provides cool light

TLB6000 Transilluminating Base

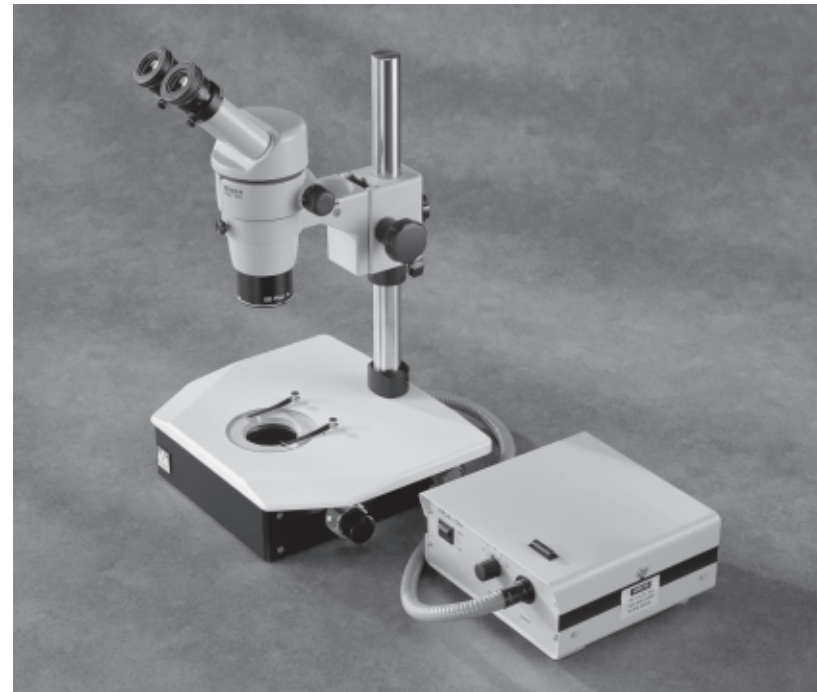
The TLB6000 combines the versatile mirror motion achieved in the TLB series with a swing in fiber optic ringlight to provide an exceptional range of illumination.

Illumination for the TLB6000 is provided by a 150 watt halogen illuminator and fiber optic bundle. The light is directed into the high efficiency condensing system for brightfield. The condensing lenses can be quickly adjusted to match the field of view and intensity to the magnification.

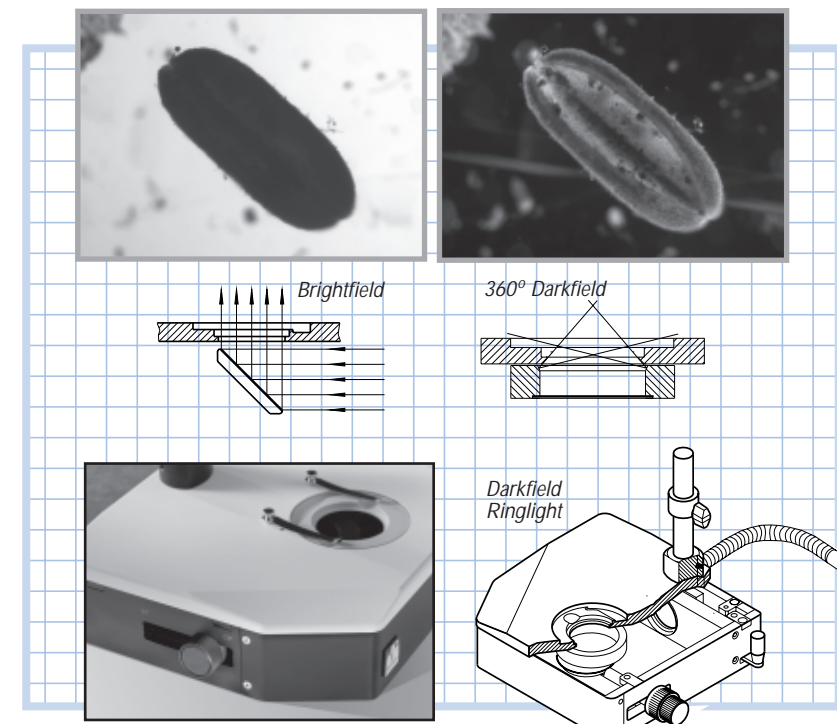
By sliding the BF/DF lever, the user moves the darkfield ringlight into position. The darkfield mode is useful for low magnification, darkfield examination of specimens and for macrophotography. Specimens appear to have a light of their own, glowing from within against a black background. Users looking for flaws in glass and other transparent substances see striae, scratches and inclusions brightly highlighted against a black background. This also makes this base an excellent choice for nematode research and in-vitro fertilization.

One of the outstanding qualities of the TLB series is the range of motion allowed by the mirror. In addition to its tilting capability the mirror is mounted in a slot that allows front to back positioning. This feature allows the user to vary the illumination from brightfield to darkfield.

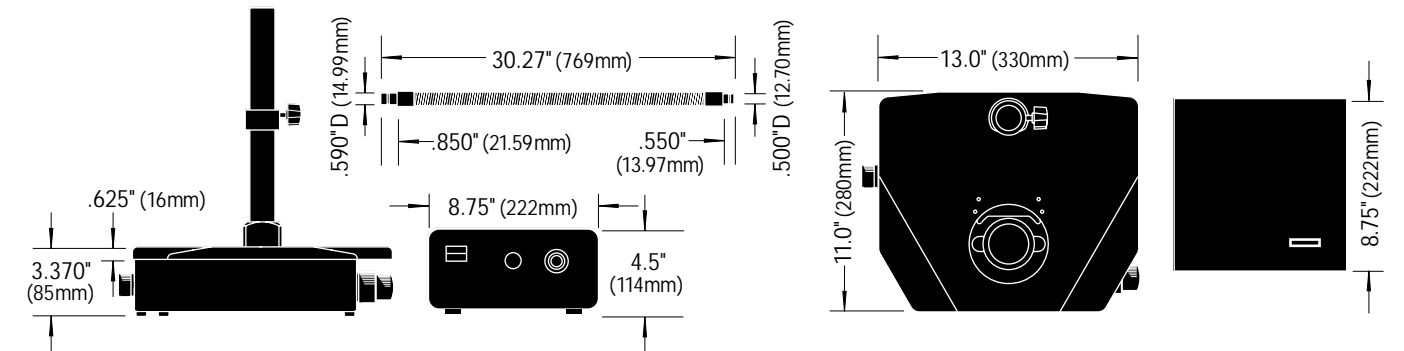
For epi-illumination applications, a gooseneck support is provided to support the fiber optic bundle.



TLB6000 Brightfield/Darkfield Base with 150 Watt Halogen Illuminator



Quick Brightfield or Darkfield



TLB6000 150 Watt Brightfield/Darkfield Base

Standard Equipment		Weight Specifications	
1 Mirrored base with fiber optic ringlight darkfield	1 Ground glass drop-in filter	Base weight: 24 lbs. (10.9 kg)	
1 Vertical mounting pole	1 Opal glass drop-in filter	Power supply weight: 12 lbs. (5.5 kg)	
1 Vertical stop	2 Stage clips	Shipping weight: 37 lbs. (16.8 kg)	
1 Black & white contrast stage plate	1 150 watt fiber optic halogen illuminator		
1 Clear glass stage plate	1 Fiber optic bundle		
1 GN-TLB-V Gooseneck mount for Volpi fiber optic	1 Adjustable condensing lens system		
Available Options			
TLBCM Curved mirror kit	TLB2212TP 22"w x 12"d oversize top plate		
Custom length vertical mounting poles available	TLB96TP Top plate option for microplate support		
	GN-TLB-F Gooseneck mount for Fostec fiber optic		
	NPA Adapter for Nikon stage plates		
	PBD Polarizer for TLB filter well		
	NVOF1 Adapter for Fostec fiber lens		

Ordering TLB6000 Series Systems

	Part Number
Leica	
Leica MZ, MS, GSZ series, accepts 445 615 or 445 616 columns (column NOT included)	TLB6026
Leica S6D (column NOT included)	TLB6026
Meji	
Meji EMZ-1 (20mm Ø x 406mm mounting column)	TLB6016
Nikon	
Nikon C-PS focus mount (adapter plate provided, focus mount supplied by dealer)	TLB6030
Nikon SMZ-1, 1B, 2B, 2T, SM-5, SMZ645, SMZ660 (24.5mm Ø x 406mm mounting column)	TLB6002
Nikon SMZ-U, SMZ-10A, SMZ645, SMZ660, SMZ800 (32mm Ø x 406mm mounting column)	TLB6019
Nikon SMZ1500, SMZ1000, SMZ-10	TLB1019
Olympus	
Olympus SZX, SZH, SZ, SD/SF with SZ-ST5 focus mount (32mm Ø x 254mm mounting column)	TLB1018
Unitron (special order, non-returnable/non-cancelable)	
Unitron (24.5mm Ø x 406mm mounting column)	TLB6003
Wild (special order, non-returnable/non-cancelable, specify 90mm or 110mm c-c)	
Wild (20mm Ø x 406mm mounting column) (specify 90mm or 110mm c-c)	TLB6024
Wild (25mm Ø x 406mm mounting column)	TLB6007
Wild triangular side face column (column NOT included)	TLB6017
Zeiss	
Zeiss Stemi series, SV6, SV8, SV11, SR, DR, DRC (32mm Ø x 406mm mounting column)	TLB6006
Zeiss IV-B (20mm Ø x 406mm mounting column) (special order, non-returnable/non-cancelable)	TLB6008



TLB SERIES SYSTEM LAYOUT

TLB series modular design brings together ergonomics and performance with expandability to meet your needs today and in the future...

